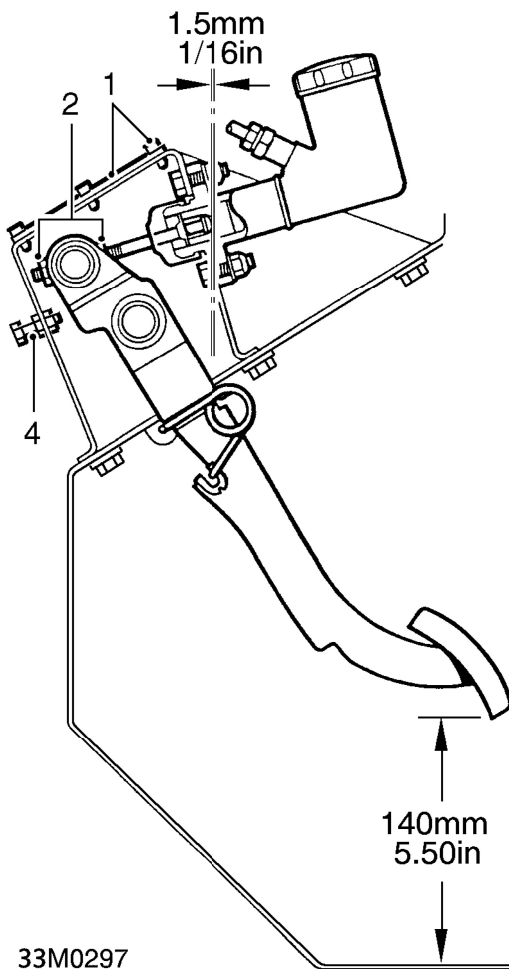




CLUTCH PEDAL AND MASTER CYLINDER SETTING

1. Remove 6 screws and detach pedal box top cover and gasket.
2. Slacken both locknuts on master cylinder push-rod.
3. Check distance from lower edge of clutch pedal to floor. Correct measurement is 140 mm (5.50 in) without floor mat.
7. Check operation of clutch pedal and ensure that there is a minimum of 6 mm (0.25 in) of free play before pressure is felt. If necessary, readjust master cylinder push-rod.
8. Fit pedal box gasket and top cover.



4. Adjust pedal stop as necessary to obtain correct setting.
5. Adjust master cylinder push rod to obtain approximately 1,5 mm (1/16 in) free play between push-rod and master cylinder piston.
6. Tighten push-rod locknuts.